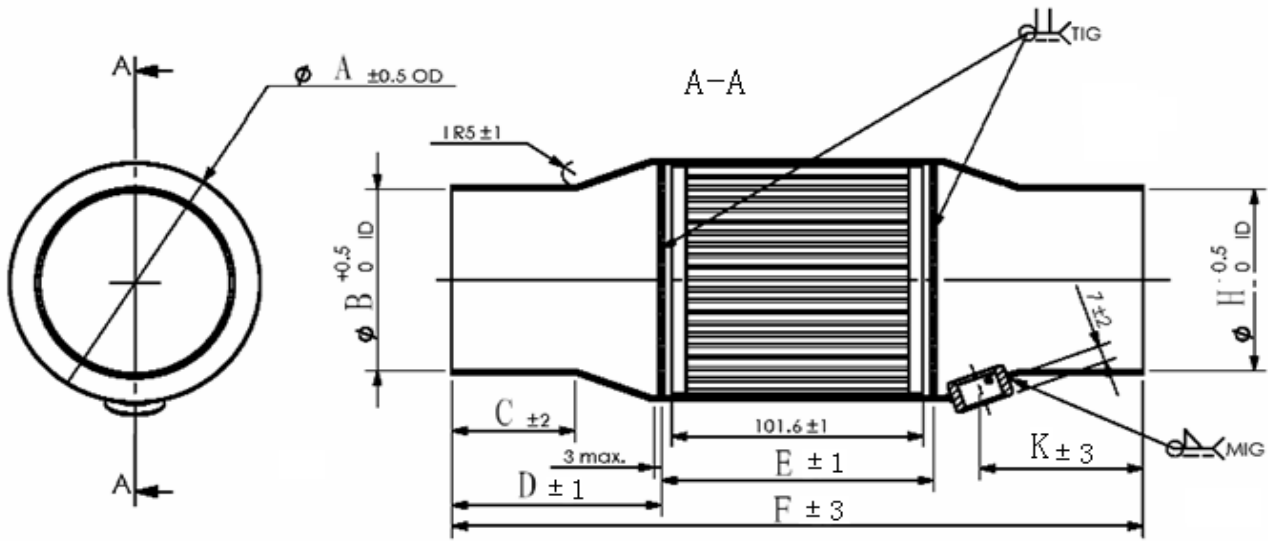


# Kwong Kee (Qing Xin) Environmental Exhaust Systems Company Limited

## Bullet Universal Catalytic Converters



Model	ERP#	Reference								CPSI	Material
		A	B	C	D	E	F	K	H		
B1	1.03.WY.0000.060A	101.6	ID64	50	85	110	280	N/A	ID64	200	Matellic
B2	1.03.XG.XY00.030A	101.6	ID64	50	85	110	280	65	OD64	200	Ceramic
B3	1.03.XG.XY00.030B	101.6	ID64	50	85	110	280	65	OD64	200	Matellic
B4	1.03.XG.XY00.010B	101.6	ID74.8	N/A	105	143	353	N/A	ID74.8	200	Matellic
B5	1.03.XG.XY00.050A	110	ID76.7	10	65	110	240	N/A	ID76.7	100	Matellic
B6	1.03.XG.XY00.050B	110	ID64	10	65	110	240	N/A	ID64	100	Matellic
B7	1.03.XG.XY00.020G	127	ID64	10	60	110	230	N/A	ID64	100	Matellic
B8	1.03.XG.XY00.010F	127	ID76.7	10	60	110	230	N/A	ID76.7	100	Matellic
B9	1.03.XG.XY00.060A	127	ID76.7	50	85	110	280	N/A	ID76.7	200	Matellic
B10	1.03.XG.XY00.070A	127	ID76.7	N/A	128.5	120	377	N/A	ID76.7	200	Matellic
B11	1.03.XG.CC00.010A	89	ID45.5	10	45	80	170	N/A	ID45.5	400	Ceramic
B12	1.03.CA.0000.080A	101.6	ID76.7	50	85	110	280	N/A	ID76.7	200	Matellic
B13	1.03.CA.0000.090A	101.6	ID64	10	60	110	230	N/A	ID64	200	Matellic
B14	1.03.CA.0000.010A	101.6	ID64	50	85	110	280	N/A	ID64	400	Matellic
B15	1.03.CA.0000.110A	127	ID89.5	10	60	110	230	N/A	ID89.5	100	Matellic
B16	1.03.WY.0000.060B	101.6	ID64	10	35	110	180	N/A	ID64	200	Matellic
B17	1.03.WY.0000.070B	101.6	ID76.7	10	35	110	180	N/A	ID76.7	200	Matellic
B18	1.03.CA.0000.120A	127	ID102.1	10	60	110	230	N/A	ID102.1	100	Matellic
B19	1.03.CA.0000.100A	101.6	ID76.7	10	35	110	180	N/A	ID76.7	100	Matellic
B20	1.03.CA.0000.130A	101.6	ID64	10	60	110	230	N/A	ID64	100	Matellic
B21	1.03.CA.0000.140A	127	ID89.5	50	85	110	280	N/A	ID89.5	100	Matellic
B22	1.03.CA.0000.150A	127	ID102.1	50	85	110	280	N/A	ID102.1	100	Matellic
B23	1.03.CA.0000.160A	101.6	ID76.7	50	85	110	280	N/A	ID76.7	100	Matellic
B24	1.03.WY.0000.080A	101.6	ID76.7	50	85	110	280	65	ID76.7	200	Matellic
B25	1.03.WY.0000.110A	101.6	ID64	10	60	110	230	N/A	ID76.7	100	Matellic
B26	1.03.WY.0000.120A	101.6	ID64	50	85	110	280	N/A	ID64	100	Matellic
B27	1.03.WY.0000.170A	101.6	ID51.3	10	65	110	240	N/A	ID51.3	100	Matellic

B28	1.03.WY.0000.180A	101.6	ID76.7	10	35	110	205	N/A	ID64	100	Matellic
B29	1.03.WY.0000.181A	101.6	ID76.2	N/A	99	110	308	N/A	ID76.2	100	Matellic
B30	1.03.CA.0000.212A	127	ID102.1	50	85	110	280	N/A	ID89.5	100	Matellic
B31	1.03.XG.XY00.080A	101.6	ID64	50	85	110	280	N/A	OD64	200	Matellic
B32	1.03.CA.0000.213A	127	ID76.7	6	42.5	100	185	N/A	ID76.7	100	Matellic
B33	1.03.CA.0000.214A	101.6	ID76.7	10	35	115	185	N/A	ID76.7	200	Matellic
B34	1.03.CA.0000.215A	101.6	ID76.7	60	80	110	270	N/A	OD76.2	200	Matellic
B34A	1.03.CA.0000.218A	101.6	ID76.7	60	80	110	270	N/A	OD76.2	200	Matellic
B35	1.03.CA.0000.219A	101.6	ID51.3	10	65	110	240	N/A	ID51.3	200	Matellic
B36	1.03.CA.0000.221A	101.6	ID64	50	85	110	280	65	OD64	300	Ceramic
B37	1.03.CA.0000.222A	101.6	ID64	50	85	110	280	65	OD64	300	Matellic
B38	1.03.CA.0000.223A	101.6	ID51.3	50	85	110	280	N/A	ID51.3	100	Matellic
B39	1.03.CA.0000.224A	101.6	ID57	50	85	110	280	N/A	ID57	100	Matellic
B40	1.03.CA.0000.225A	76.2	OD56	40	58.9	86.2	204	N/A	OD56	300	Matellic
B41	1.03.CA.0000.235A	101.6	ID57	50	85	110	280	65	ID57	200	Matellic
B42	1.03.CA.0000.236A	101.6	ID64	50	85	110	280	65	ID64	200	Matellic
B43	1.03.CA.0000.237A	101.6	ID76.7	50	85	110	280	65	ID76.7	100	Matellic
B44	1.03.CA.0000.238A	101.6	ID64	50	85	110	280	65	ID64	100	Matellic
B45	1.03.CA.0000.242A	76.2	OD63.5	57	74	100	248	N/A	ID63.8	100	Matellic
B46	1.03.CA.0000.241A	101.6	ID57	50	85	110	280	65	ID57	100	Matellic
B47	1.03.CA.0000.243A	127	ID89.5	50	85	110	280	65	ID89.5	100	Matellic
B48	1.03.CA.0000.244A	127	ID102.1	50	85	110	280	65	ID102.1	100	Matellic
B49	1.03.CA.0000.245A	101.6	ID51.3	50	85	110	280	65	ID51.3	100	Matellic
B50	1.03.CA.0000.246A	101.6	ID76.7	50	85	110	280	65	ID76.7	300	Matellic
B51	1.03.CA.0000.247A	101.6	ID51.3	50	85	110	280	65	ID51.3	200	Matellic
B52	1.03.CA.0000.248A	101.6	ID57	50	85	110	280	65	ID57	200	Matellic
B53	1.03.CA.0000.269A	101.6	ID63.5	5	40	110	190	21	ID63.5	100	Matellic
B54	1.03.CA.0000.270A	101.6	ID76.2	5	40	110	190	30	OD76.2	100	Matellic
B55	1.03.CA.0000.273A	101.6	ID77	5	40	100	190	30	OD76.2	200	Matellic
B56	1.03.CA.0000.274A	101.6	ID77	5	40	100	190	30	OD76.2	100	Matellic
B57	1.03.CA.0000.303A	127	ID57	5	40	110	190	N/A	ID63.5	400	Matellic
B58	1.03.CA.0000.285A	127	ID76.7	5	40	110	190	N/A	ID76.7	300	Matellic
B59	1.03.CA.E200.280A	101.6	ID76.7	5	45	100	190	23	ID76.7	100	Matellic
B60	1.03.CA.E200.286A	101.6	ID76.7	5	45	100	190	23	ID76.7	200	Matellic
B61	1.03.CA.E200.287A	101.6	ID63.5	5	45	100	190	23	ID63.5	200	Matellic